



KARLIN

product code	CC0764M41
product description	KARLIN Side table metal walnut veneer Side table with top in walnut veneer and metal leg.

**product sizes**

height x width x depth (cm)	52	x	46	x	46
product weight (Kg)	4,6				

technical drawings

**product features**

use (domestic/office)	Domestic
appliicance (inner/outer)	Inner
number of doors	
number of drawers	
fittings description	
max. load (Kg)	

material	Plywood and MDF
----------	-----------------

finishing	Walnut veneer and melamine
-----------	----------------------------

legs material	Steel
legs finishing	Powder coated painting
feet protection (yes/no)	Yes
adjustable feet (yes/no)	No

RAL Specifications	
size and shape variation (yes/no)	No
color variation (yes/no)	No
other details	

general warnings	Do not place near direct sources of heat. Keep away from direct solar light. Do not use abrasive products like acetones, bleaches, solvents, etc
------------------	--

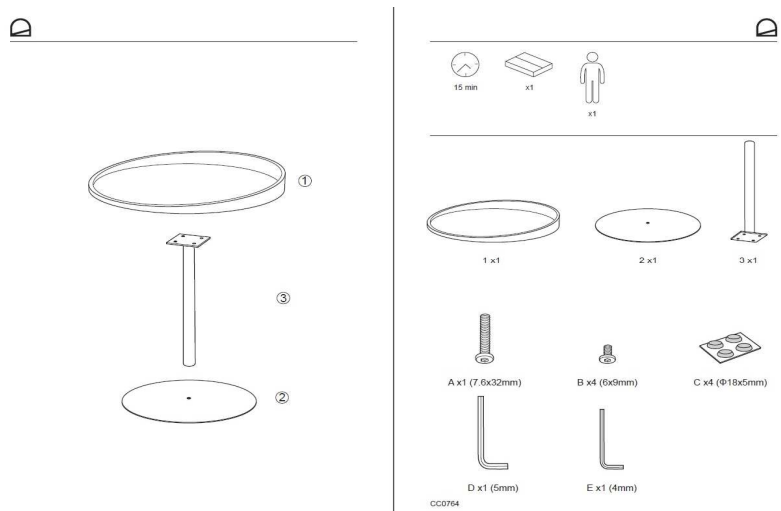
specific use and care instructions	Clean with a cloth wet or dampened in a mild cleaner and dry immediately. Do not use scouring-powder, steel wool, hard or sharp tools which can scratch the surface
------------------------------------	---

years of guarantee made according to	2
good to know	

**assembly**

assembly required (yes/no)	Yes
difficulty of assembly (hard/medium/easy)	Easy
assembly time (min)	10
people required	2
assembly suggestions	

assembly instructions



**packaging**

units per lot	1				
cbm (m3) / gross weight (Kg)	0,035	/	5,8		
nº of boxes	1				
box 1	1				
description	KARLIN Side table metal walnut veneer				
description box	FULL ITEM				
height x width x depth (cm)	11,5	x	57	x	53,5
cbm (m3) / gross weight (Kg) / net weight (Kg)	0,035	/	5,8	/	4,6
box 2					
description					
description box					
height x width x depth (cm)		x		x	
cbm (m3) / gross weight (Kg) / net weight (Kg)		/		/	
box 3					
description					
description box					
height x width x depth (cm)		x		x	
cbm (m3) / gross weight (Kg) / net weight (Kg)		/		/	
box 4					
description					
description box					
height x width x depth (cm)		x		x	
cbm (m3) / gross weight (Kg) / net weight (Kg)		/		/	
box 5					
description					
description box					
height x width x depth (cm)		x		x	
cbm (m3) / gross weight (Kg) / net weight (Kg)		/		/	